



Appleton™ APDAH / APDSH Series Flameproof Customised Enclosures

APPLETON™


EMERSON™

APDAH and APDSH Series Customized Enclosures

Flameproof, Dust-Ignitionproof

Zones 1 & 2 – 21 & 22
Gas (G) and Dust (D)

Contents

- 3 Highlights**
 - Application
 - Features
 - Certification
- 4 Catalog Coding and Guide**
- 5 Dimension**

APPLETON™

APDAH and APDSH Series Customized Enclosures

Flameproof, Dust-Ignitionproof

Zones 1 & 2 – 21 & 22
Gas (G) and Dust (D)

Highlights

Application

- Enclosures are designed to facilitate electrical connections in hazardous areas as a Junction Box and Control Panels.
- Enclosures may be customized to house terminal blocks, and a large range of components; i.e. control units, breakers, starters, relays, meters, etc.
- Designed for use in Zone 1 or 2 areas, where flammable gases or vapors are present either continuously or intermittently.
- Ideal for use in wet or corrosive atmospheres.
 - Petroleum, chemical refineries and other industrial process facilities.
- Designed for use in Zone 21 or 22 areas, where flammable dusts are present either continuously or intermittently.
 - Food processing, dairy, brewing, silos and other facilities.

Features

- Enclosures are available in 4 sizes for Power Distribution and Automation Application.
- Precision machined flameproof joint between body and cover.
- External Fixing Brackets.
- Internal Mounting Plate.
- Internal Earth: Mounting Plate provided with a Screw of size M5 to M10.
- External Earth: M8 to M12 screw.
- Operating temperature -20°C to $+55^{\circ}\text{C}$
- IK10 (20 Joules) high impact resistant box.

Standard Materials

- Gray painted marine grade aluminum housing.
- Stainless Steel 304/316L - available on request.
- Stainless steel hardware.

Options

- Indirect cable entries through Ex e connection is available as option.
- Factory assembled and wired.
- Empty enclosure with Ex "U" component marking for recertifying by Certifying body.
- Switchrack Assembly

Electrial Data

- Max Voltage: AC – 690 V/DC 440 V
- Current Rating: 1200A AC/DC

ATEX Certificate: Baseefa 19ATEX0059X

IEC Ex Certificate: IECEX BAS 19.0047X

Internal Volume: $> 2\text{dm}^3$ (2 liters)

Certification Type: APDAC/APDSC

- **Gas, Zones 1 and 2**
 - Conforming to ATEX 94/9/CE: II 2 G
 - Type of Protection: Ex db IIB+H₂ T* Gb
 - Temperature Class: T6 to T4
 - Index of Protection according EN/IEC 60529: IP66
- **Ambient Temperature: -20°C to $+55^{\circ}\text{C}$**
- **Dust, Zones 21 and 22**
 - Conforming to ATEX 94/9/CE: II 2 D
 - Type of Protection: Ex tb IIIC T* Db
 - Surface Temperature: T85°C to T135°C



APPLETON™

APDAH and APDSH Series Customized Enclosures

Flameproof, Dust-Ignitionproof

Zones 1 & 2 – 21 & 22
Gas (G) and Dust (D)

Catalog Coding and Guide

Coding of Enclosures:

APD	Material	Gas Group	Width*	Height*	Depth*	Terminal
APD Series	A = Aluminium S = Stainless Steel	H = IIB+H ₂	55 = 550 61 = 616 75 = 750	65 = 650 75 = 750 96 = 965 95 = 950	28 = 285/280**	# = Customised version U = Component certification

* Dimensions represents internal sizes of the enclosures

** Depth of 285 mm is applicable for APD_H 556528 and APD_H 757528 and 280 mm is applicable for APD_H 759528 and APD_H 619628

Cable Entry Options

Metric	NPT	APD_H 556528		APD_H 757528		APD_H 759528		APD_H 619628	
		Side A/C	Side B/D	Side A/C	Side B/D	Side A/C	Side B/D	Side A/C	Side B/D
M16 x 1.5	1/2"	27	24	36	36	39	27	39	27
M20 x 1.5	1/2" - 3/4"	27	24	36	36	39	27	39	27
M25 x 1.5	3/4"	27	24	36	36	39	27	39	27
M32 x 1.5	1"	12	10	14	14	24	20	24	16
M40 x 1.5	1 - 1/4"	12	10	14	14	20	14	20	14
M50 x 1.5	1 - 1/2" - 2"	8	8	10	10	12	12	12	10
M63 x 1.5	2 - 1/2" - 3"	4	4	5	5	7	5	7	4
M75 x 1.5	3" - 3 - 1/2"	4	3	5	5	6	5	6	4
M90 x 1.5	3" - 3 - 1/2"	3	3	4	4	5	4	5	3
M100 x 1.5	4" - 4 - 1/2"	3	3	4	4	4	4	4	3

APDAH and APDSH Series Customized Enclosures

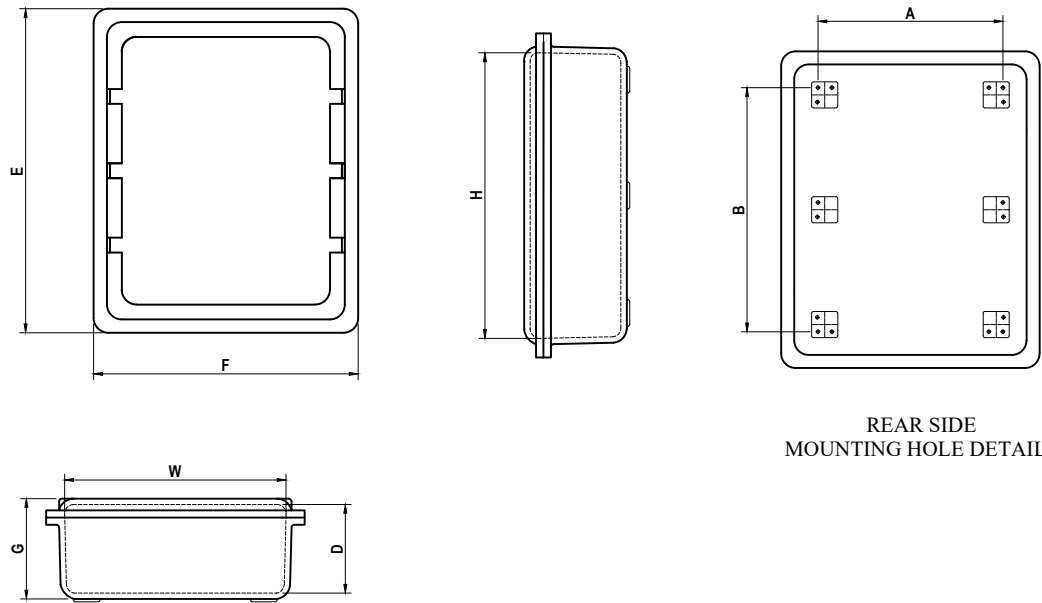
Flameproof, Dust-Ignitionproof

Zones 1 & 2 – 21 & 22
Gas (G) and Dust (D)

Dimensions

Catalog Number	Overall Dimensions			Inside Dimensions			Approximate Mounting Dimensions		Weight kg
	A	B	C	D	E	F	G	H	
APDAH 556528	688	788	350	550	650	285	400	500	127
APDAH 757528	888	888	350	750	750	285	600	600	225
APDAH 759528	924	1124	365	750	950	280	590	800	274
APDAH 619628	790	1140	365	616	965	280	466	806	256

Reference provided for aluminium.



REAR SIDE
MOUNTING HOLE DETAILS

Mounting Plate in MS Zinc Plated

Mounting Plate-2 mm Thick Catalog Number	Enclosure Catalog Number	Dimension in mm	
		W	H
AH 5565-Z	APDAH 556528	490	590
AH 7575-Z	APDAH 757528	690	690
AH 7595-Z	APDAH 759528	690	890
AH 6196-Z	APDAH 619628	554	896

Add Suffix S for SS mounting Plates